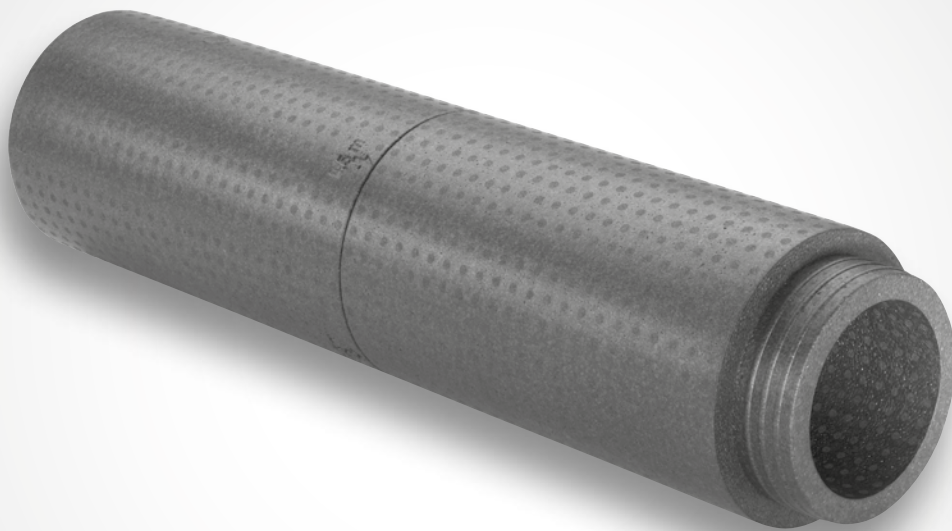


# Zehnder ComfoPipe Plus

Technical specification for connection system in accordance with DIN 1946-6



## General

Zehnder ComfoPipe Plus is a self-supporting and lightweight tube system and is therefore easy to install. The connection system includes close-fitting, pluggable, and robust connection and has very high thermal insulation properties. It fulfils the requirements of DIN 1946-6 up to 60 mm and, with its closed-cell and vapour-tight surface, also satisfies leakage classifications up to Class D.



ComfoPipe Plus tube



ComfoPipe Plus bend



ComfoPipe Plus connector



ComfoPipe Plus connection bend 160



ComfoPipe Plus 200 adapter

## Benefits

- Everything from a single source – with the air distribution system and comfort ventilation unit, all components are available for the complete ventilation system
- Simple installation owing to modular design and compact dimensions

## Technical specifications

### Zehnder ComfoPipe Plus

Material thickness:	43 mm
$\lambda$ :	0.035 W/m K
Coefficient of heat transfer:	0.68 W/m <sup>2</sup> K
Application range:	-25 °C to 80 °C
Fire class:	B2
Weight:	Tube element 160: 1,082 g
	Tube element 200: 1,313 g
	Bend 160 45°: 205 g
	Bend 200 45°: 271 g
	Connector 160: 110 g
	Connector 200: 128 g
	Adapter ComfoAir Q600 ST: 678 g

## Article numbers

Description	Article number
ComfoPipe Plus 160 tube element L = 940 mm, D = 246 / 160 mm	990 328 700
ComfoPipe Plus 160 bend 45° D = 246 / 160 mm	990 328 701
ComfoPipe Plus 160 connector D = 277	990 328 702
ComfoPipe Plus 200 tube element L = 940 mm D = 286 / 200 mm	990 328 720
ComfoPipe Plus 200 bend 45° D = 286 / 200 mm	990 328 721
ComfoPipe Plus 200 connector D = 326	990 328 722
ComfoPipe Plus connection bend 160	990 328 704
ComfoPipe Plus 200 adapter for ComfoAir Q600	990 328 723
ComfoPipe Plus 160 connector set for ComfoFond-L Q TR	990 328 750
ComfoPipe Plus 200 connector set for ComfoFond-L Q ST	990 328 751
ComfoPipe Plus external wall grille 160 mm	990 430 584
ComfoPipe Plus external wall grille 200 mm	990 430 585

## Description

Zehnder ComfoPipe Plus tube system 160 mm (or 200 mm) for standard-compliant design for outside and exhaust air. The light tube material is sealed against steam diffusion. The triple-seal connector pieces ensure a safe and air-tight connection. Adhesion of the joint on site is no longer required. The tube system comprises a length element of 940 mm (1,000 mm overall length), a connector for connecting the tube pieces without a connection profile and a 45° bend. Unit adapters are available for connecting the ventilation unit. Adapters are available to connect to the ComfoAir Q 350/450/600 ventilation units for standard-compliant and air-tight installation.

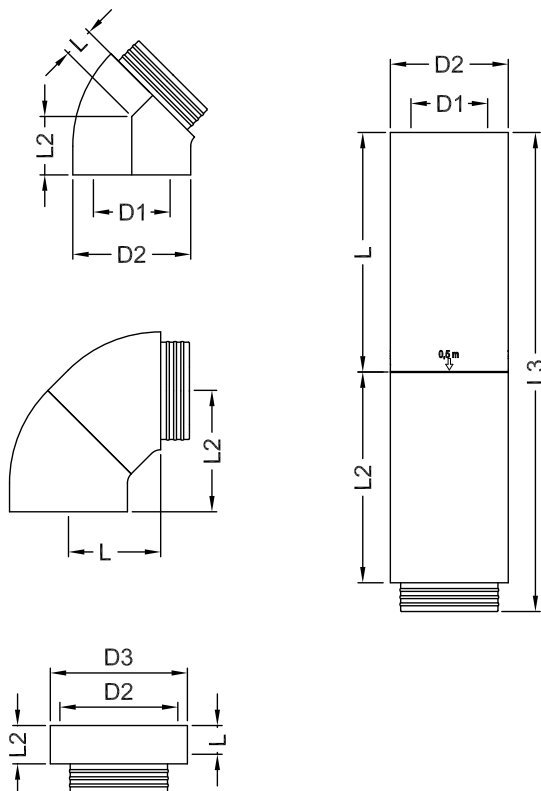
The Zehnder ComfoPipe Plus tube system complies with the insulation requirements of DIN 1946-6 in a thermal sleeve of up to 60 mm insulation thickness with a wall thickness of only 43 mm.

## Dimensions

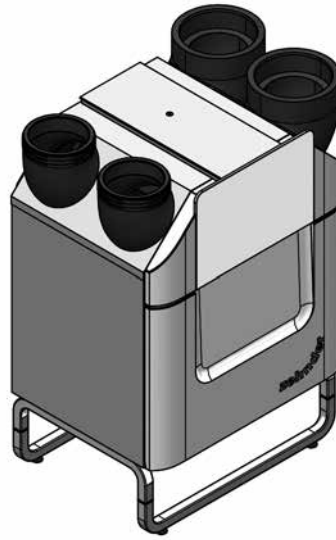
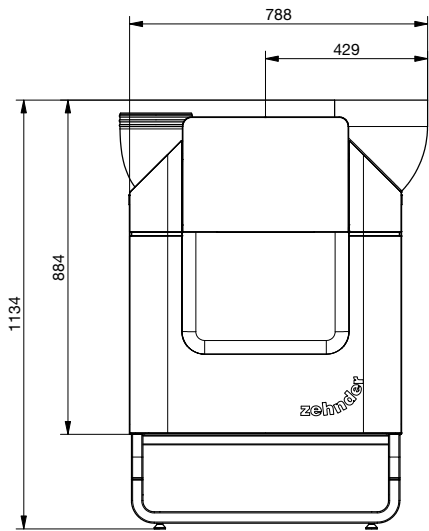
D1	D2	D3	L	L2	L3
<b>Tube element</b>					
160 mm	246 mm	-	500 mm	440 mm	1,000 mm
200 mm	286 mm	-	500 mm	440 mm	1,000 mm
<b>45° bend</b>					
160 mm	246 mm	-	60 mm	122 mm	-
200 mm	286 mm	-	70 mm	130 mm	-
<b>2x 45° bend</b>					
160 mm	246 mm	-	59.5	58.6	-
200 mm	286 mm	-	58.0	56.9	-
<b>Connector</b>					
160 mm	246 mm	277 mm	60 mm	80 mm	-
200 mm	286 mm	326 mm	60 mm	80 mm	-

## Dimensional drawings

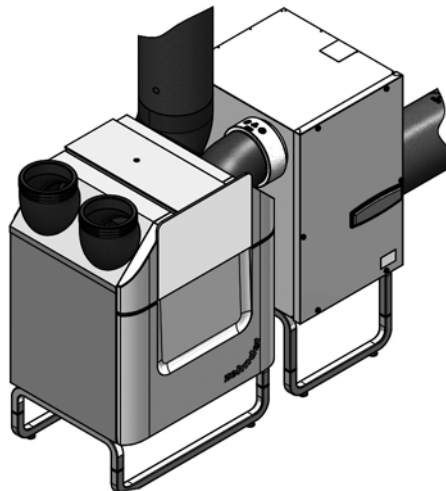
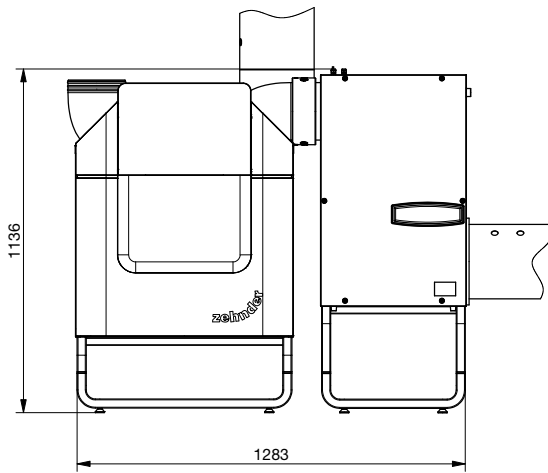
### ComfoPipe Plus



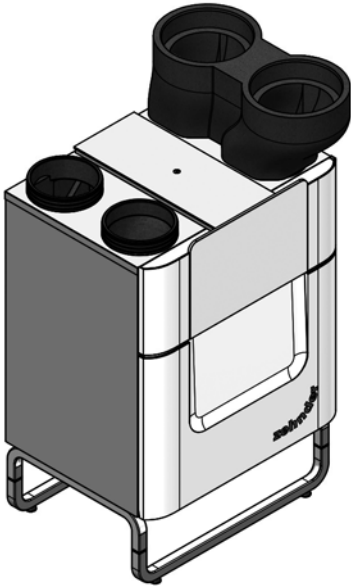
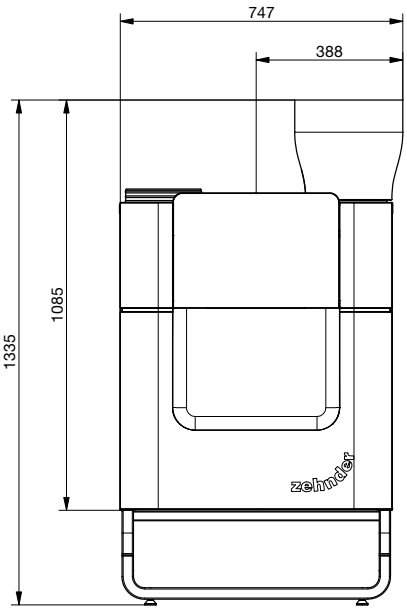
**ComfoPipe Plus adapter with ComfoAir Q350/450 TR**



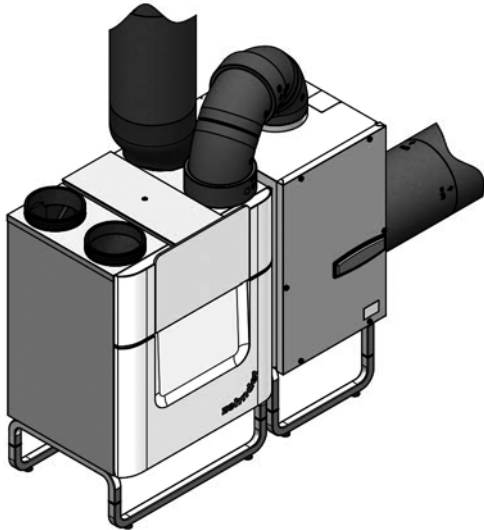
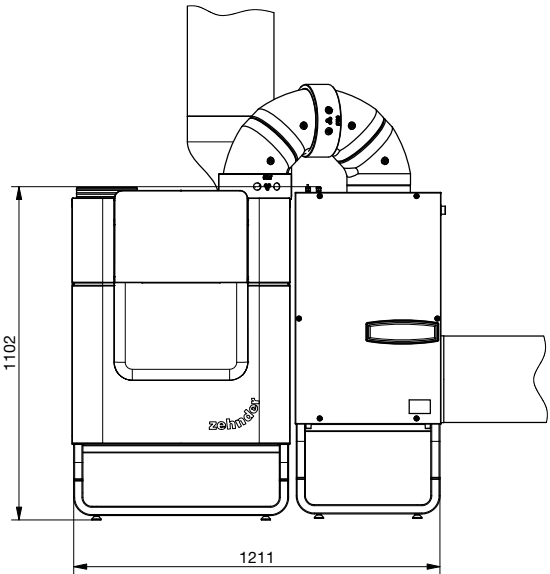
**ComfoPipe Plus connector set for ComfoFond-L Q TR with ComfoAir Q350/450 TR**



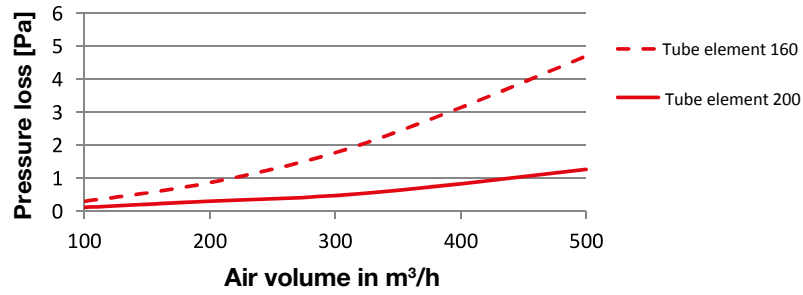
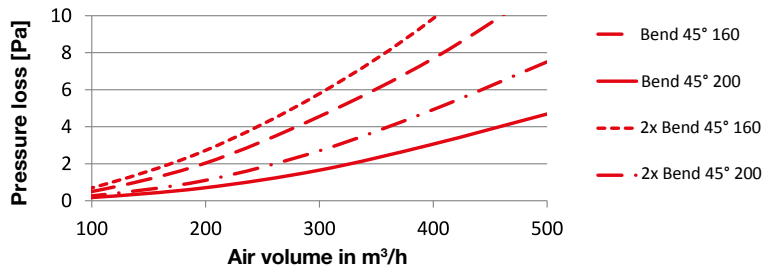
ComfoPipe Plus connector set for ComfoFond-L Q600 ST



ComfoPipe Plus connector set for ComfoFond-L Q ST with ComfoAir Q600 ST



## Pressure loss graphs



Z\_DE\_V1216\_CSX\_TES\_TS079\_en, subject to change without notice