

# Zehnder ComfoWell 220

Technical specification for a modular system comprising an attenuator and manifold system



## Advantages

- All air treatment functions available: attenuator, fine filter, active carbon filter, manifold box
- Modular design
- Compact dimensions
- Easy to clean
- Components connected with sliding profiles for easy mounting
- Pipes connected by end pieces with connectors
- Directly connected to all components of the ComfoWell system
- Very good sound attenuation
- Two attenuators can be used in series for maximum sound reduction
- Mounting set available for vertical mounting of attenuators on ComfoAir 160 / end plate available for ComfoAir 180
- High-efficiency fine filters up to filter class F9 available
- Odour neutralisation by active carbon filter
- Components available in width of 220 mm to connect 4 ComfoTubes



ComfoWell as attenuator



ComfoWell as manifold box



ComfoWell as filter housing



Mounting plate



End plate



Mounting set



Spacer frame



Fine dust filter F7



Fine dust filter F9



Active carbon filter FC

## Technical specifications

### Zehnder ComfoWell 220

Housing	Galvanised sheet steel
Inner lining	Closed-cell melamine resin foam
Permissible operating temperature	-25 to +60 °C
Maximum air volume	160 m <sup>3</sup> /h at normal ventilation level

## Benefits

- Everything from a single source: with attenuator, fine filter, active carbon filter and manifold boxes, all functions are available for air treatment
- Easy installation owing to the modular structure, compact dimensions and connection of the components with sliding profiles

## Article numbers

Description	Article number
Attenuator CW-S 220	990 323 500
Manifold CW-D 220	990 323 530
Filter housing CW-F 220	990 323 550
Mounting plate CW-M 220-4 x 75	990 323 520
Mounting plate CW-M 220-4 x 90	990 323 521
End plate CW-P 220 – DN 125	990 323 510
End plate CW-P 220 – DN125, eccentric	990 323 577
Mounting set CW-K 220 – CA 160	990 323 569
Spacer frame CW-DF 220	990 323 537
Fine dust filter CW-F7 220	990 323 600
Fine dust filter CW-F9 220	990 323 601
Fine dust filter CW-FC 220	990 323 602

## Tender specification

### Attenuator:

Zehnder ComfoWell attenuator CW-S 220. Compact rectangular attenuator with high-efficiency special sound attenuation pack and low pressure losses. The attenuator can be used on its own or in combination with any add-on from the ComfoWell system. It is connected to all add-ons with a folded joint and clamping rail to create an airtight seal. The attenuation element can be removed for inspection and cleaning. The attenuator is mounted on a wall or ceiling with height-adjustable mounting brackets. Mounting accessories are supplied with the unit.

Technical specifications:

- Insertion loss: 11.1 dB / 250 Hz
- Housing: galvanised sheet steel
- Attenuation element: special foam with hygienic coating
- Dimensions: length: 500 mm; depth: 220 mm; height: 230 mm

### Manifold box:

Zehnder ComfoWell manifold box CW-D 220. Compact sound-absorbing manifold box with closed-cell, attenuating inner lining, fits mounting plate for ComfoTube 4 x 75 or 4 x 90 ventilation tubes.

The mounting plate connection can be moved from the front to the side. The manifold box can be used on its own or in combination with any add-on. It is connected to all add-ons with a folded joint and clamping rail to create an airtight seal. The manifold box features an access panel for easy cleaning and adjustment of the ComfoTube ventilation tubes. Mounting accessories are supplied with the unit.

- Material: galvanised sheet steel
- Dimensions: length: 230 mm; width: 220 mm; height: 230 mm

### Filter housing:

Zehnder ComfoWell filter housing CW-F 220. Compact filter housing for mounting in supply line, to accommodate pollen filter F7 or active carbon filter element. Filter elements are not supplied with the unit. The manifold box can be used on its own or in combination with any add-on from the ComfoWell system. It is connected to all add-ons with a folded joint and clamping rail to create an airtight seal. It is mounted with adjustable mounting brackets; mounting accessories are included.

- Material: galvanised sheet steel
- Dimensions: length: 300 mm; width: 220 mm; height: 230 mm

### Mounting plate:

Zehnder ComfoWell mounting plate CW-M 220-4 x 75 or 90 for connecting 4x Zehnder ComfoTube 75 or 90 flexible ducts. Supplied with guard and clamping rails. Mounting plate can also be used for mounting in concrete.

### End plate:

Zehnder ComfoWell end plate CW-P 220 – DN125 (with central support) for connecting the ComfoWell attenuator and distribution system to a DN125 round duct. A special end plate is available for the CA 180. Clamping rails included.

### Mounting set:

A special mounting set is available for the Zehnder ComfoWell 220 attenuator and distribution system for direct mounting on the ComfoAir 160 ventilation unit. The mounting set includes all the necessary accessories (screws, brackets and mounting brackets).

### Spacer frame:

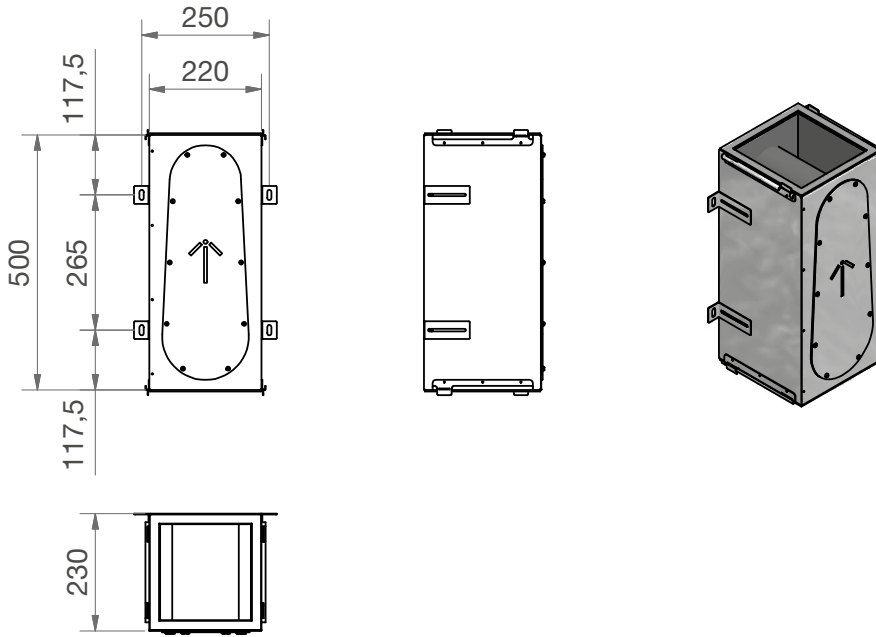
Zehnder ComfoWell spacer frame CW-DF 220 to compensate for uneven surfaces when components and mounting plate (concreted in place) are at 90°. Spacer frame includes the necessary mounting accessories.

### Filter:

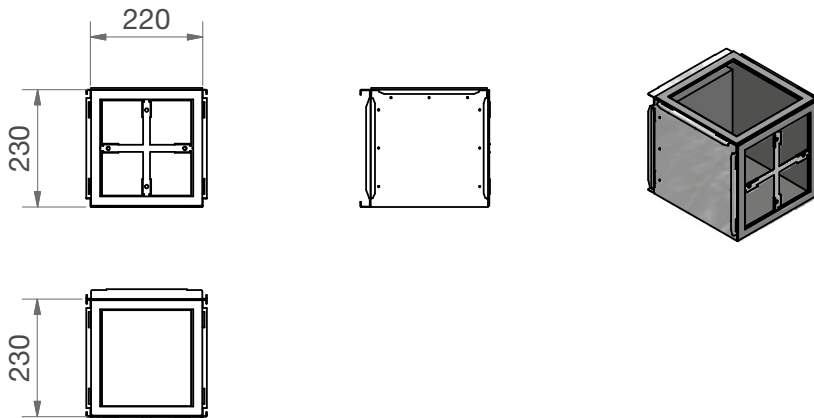
Filter for mounting in filter housing CW-F 220. Available filter classes include F7 (pollen filter), F9 (fine dust filter) and an active carbon filter for odour neutralisation.

## Dimensional drawings

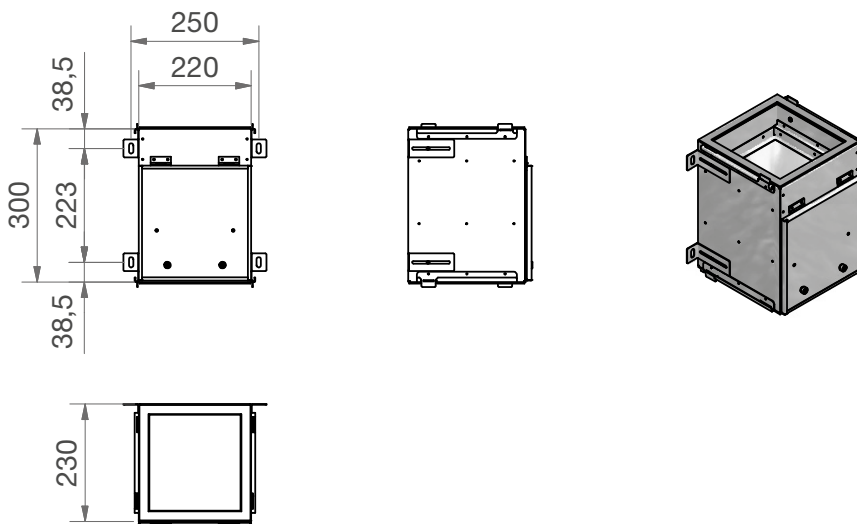
### Attenuator



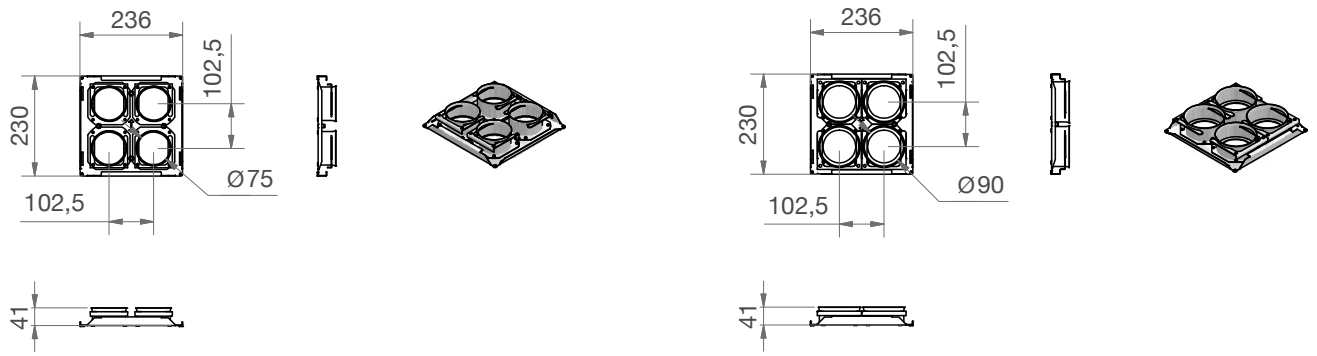
### Manifold box



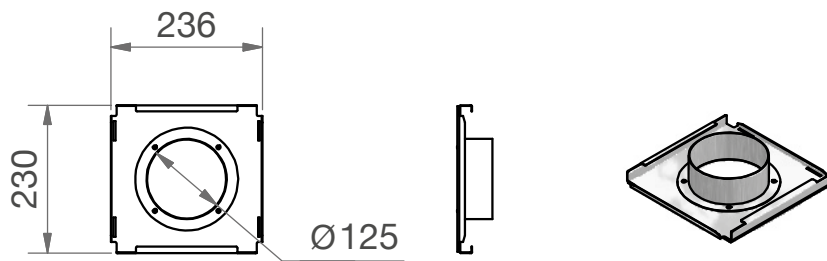
### Filter housing



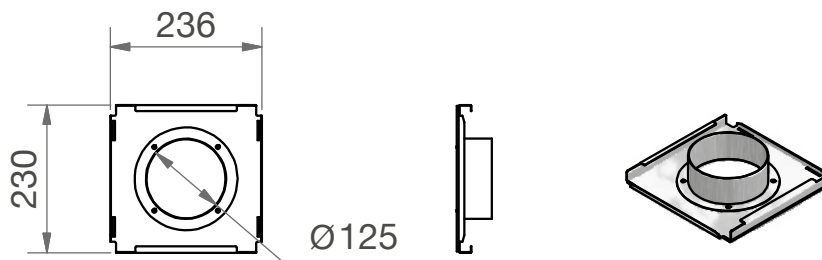
### Mounting plate



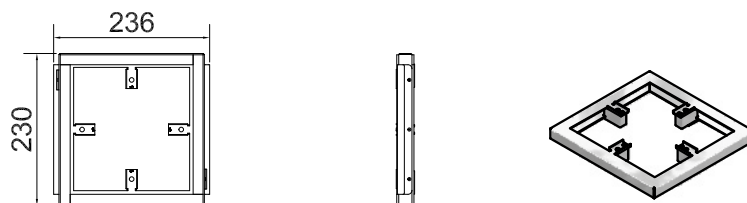
### End plate



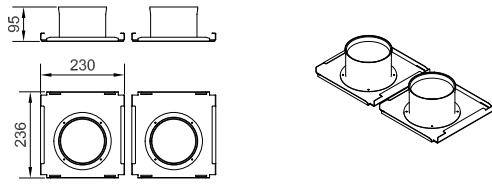
### End plate ComfoAir 180



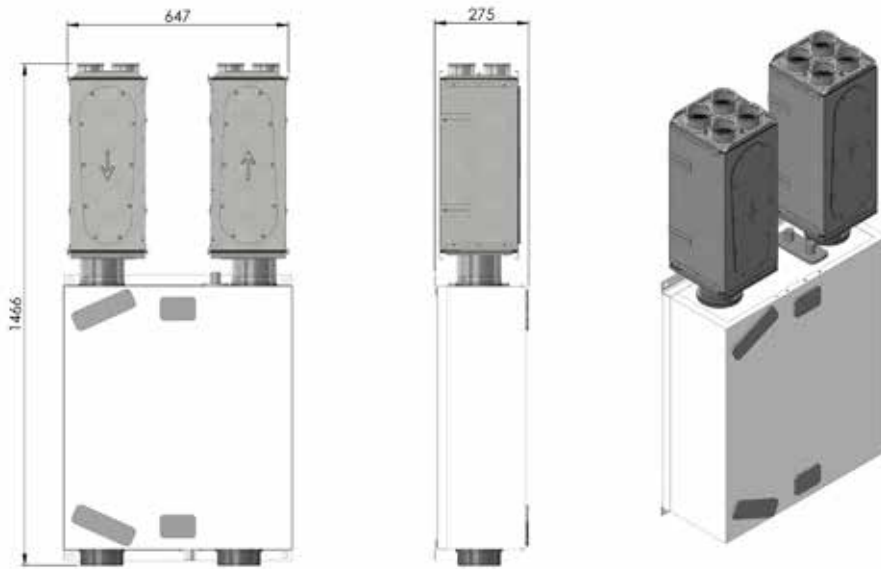
### Spacer frame



**Mounting set ComfoAir 160**

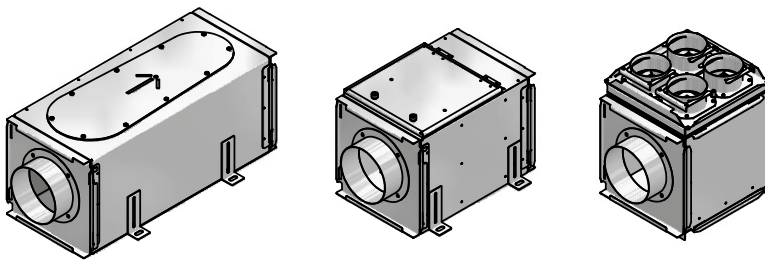


**ComfoAir 160 with mounting set**

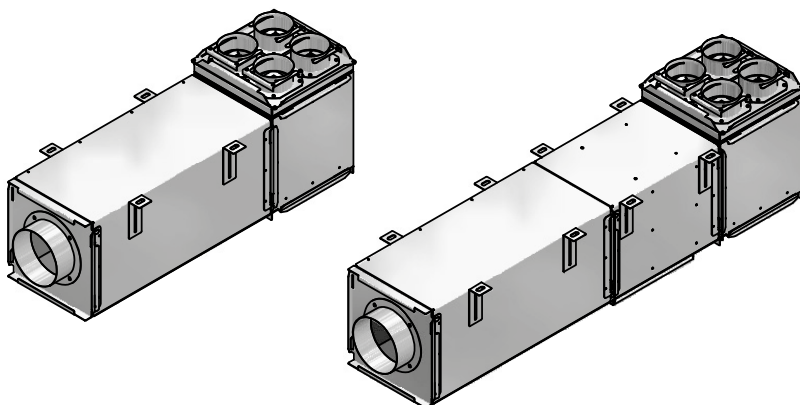


**Usage scenarios**

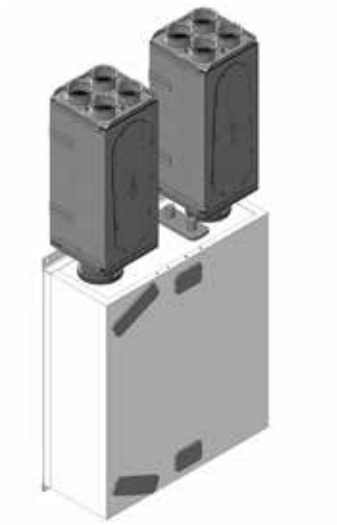
**Standalone**



**Combined**

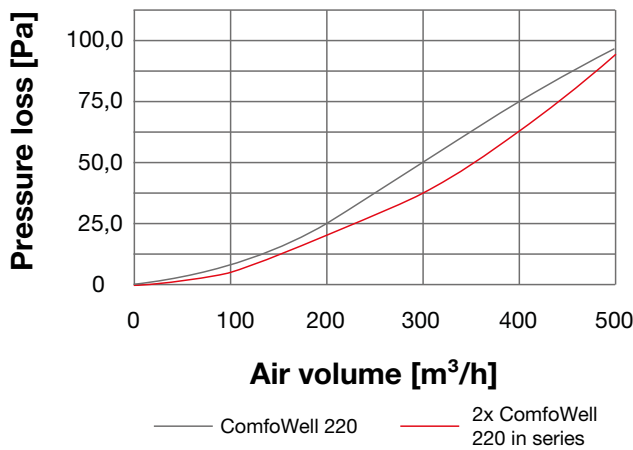


**Compact with ventilation unit**



**Pressure losses**

**ComfoWell attenuator CW-S 220  
with end plate CW-P – DN125**



**Insertion loss**

1x end plate CW-P 220 + 1x attenuator CW-S 220 + 1x end plate CW-P 220 or mounting plate CW-M 220

**Insertion loss with one attenuator\***

Frequency [Hz]	63	125	250	500	1,000	2,000	4,000	8,000
[dB]	5.9	10.2	11.1	16.3	14.8	32.2	25.8	28.1

1x end plate CW-P 220 + 2x attenuators CW-S 220 + 1x end plate CW-P 220 or mounting plate CW-M 220

**Insertion loss with two attenuators\***

Frequency [Hz]	63	125	250	500	1,000	2,000	4,000	8,000
[dB]	7.8	19.4	18.6	28.7	26.5	51.5	45.0	39.1

\* Insertion loss measured in accordance with EN ISO 7235 (pink noise)

CDE-FLYERTS221, V1116, en, subject to change without notice