

Zehnder ComfoWell 320

Technical specification for a modular system comprising an attenuator and manifold system



Advantages

- All air treatment functions available: attenuator, fine filter, active carbon filter, manifold box
- Modular design
- Compact dimensions
- Easy to clean
- Components connected with sliding profiles for easy mounting
- Pipes connected by end pieces with connectors
- Directly connected to all components of the ComfoWell system
- Very good sound attenuation
- Two attenuators can be used in series for maximum sound reduction
- Mounting set available for vertical mounting of attenuators on ComfoAir 160, ComfoAir 200, ComfoAir 350, ComfoAir Q350/450 TR
- High-efficiency fine filters up to filter class F9 available
- Odour neutralisation by active carbon filter
- Components available in width of 320 mm to connect 6 ComfoTubes



ComfoWell as attenuator



ComfoWell as manifold box



ComfoWell as filter housing



Mounting plate



End plate



Mounting set



Spacer frame



Fine dust filter F7



Fine dust filter F9



Active carbon filter FC

Technical specifications

Zehnder ComfoWell 320

Housing	Galvanised sheet steel
Inner lining	Closed-cell melamine resin foam
Permissible operating temperature	-25 to +60 °C
Maximum air volume	240 m ³ /h at normal ventilation level

Benefits

- Everything from a single source: with attenuator, fine filter, active carbon filter and manifold boxes, all functions are available for air treatment
- Easy installation owing to the modular structure, compact dimensions and connection of the components with sliding profiles

Article numbers

Description	Article number
Attenuator CW-S 320	990 323 501
Manifold CW-D 320	990 323 531
Filter housing CW-F 320	990 323 551
Mounting plate CW-M 320-6 x 75/P	990 323 612
Mounting plate CW-M 320-6 x 90/P	990 323 613
End plate CW-P 320 – DN 125	990 323 511
End plate CW-P 320 – DN 160	990 323 512

End plate CW-P 320 – DN 180	990 323 527
Mounting set CW-K 320 – ComfoAir 160	990 323 570
Mounting set CW-K 320 – ComfoAir 200	990 323 517
Mounting set CW-K 320 – ComfoAir 350	990 323 526
Mounting set CW-K 320 – ComfoAir Q350/450 TR	990 323 644
Spacer frame CW-DF 320	990 323 538
Fine dust filter CW-F7 320	990 323 603
Fine dust filter CW-F9 320	990 323 604
Fine dust filter CW-FC 320	990 323 605

Tender specification

Attenuator:

Zehnder ComfoWell attenuator CW-S 320. Compact rectangular attenuator with high-efficiency special sound attenuation pack and low pressure losses. The attenuator can be used on its own or in combination with any add-on from the ComfoWell system. It is connected to all add-ons with a folded joint and clamping rail to create an airtight seal. The attenuation element can be removed for inspection and cleaning. The attenuator is mounted on a wall or ceiling with height-adjustable mounting brackets. Mounting accessories are supplied with the unit.

Technical specifications:

- Insertion loss: 9.2 dB / 250 Hz
- Housing: galvanised sheet steel
- Attenuation element: special foam with hygienic coating
- Dimensions: length: 500 mm; depth: 320 mm; height: 230 mm

Manifold box:

Zehnder ComfoWell manifold box CW-D 320. Compact sound-absorbing manifold box with closed-cell, attenuating inner lining, fits mounting plate for ComfoTube 6 x 75 or 6 x 90 ventilation tubes. The mounting plate connection can be moved from the front to the side. The manifold box can be used on its own or in combination with any add-on. It is connected to all add-ons with a folded joint and clamping rail to create an airtight seal.

The manifold box features an access panel for easy cleaning and adjustment of the ComfoTube ventilation tubes. Mounting accessories are supplied with the unit.

- Material: galvanised sheet steel
- Dimensions: length: 230 mm; width: 320 mm; height: 230 mm

Filter housing:

Zehnder ComfoWell filter housing CW-F 320. Compact filter housing for mounting in supply line, to accommodate pollen filter F7 or active carbon filter element.

Filter elements are not supplied with the unit. The manifold box can be used on its own or in combination with any add-on from the ComfoWell system. It is connected to all add-ons with a folded joint and clamping rail to create an airtight seal. It is mounted with adjustable mounting brackets; mounting accessories are included.

- Material: galvanised sheet steel
- Dimensions: length: 300 mm; width: 320 mm; height: 230 mm

Mounting plate:

Zehnder ComfoWell mounting plate CW-M 320-6 x 75/P or 90/P for connecting 6x Zehnder ComfoTube 75 or 90 flexible ducts. Supplied with guard and clamping rails. Mounting plate can also be used for mounting in concrete.

End plate:

Zehnder ComfoWell end plate CW-P 320 – DN125 / DN160 / DN180 (with central support) for connecting the ComfoWell attenuator and distribution system to a DN125 / DN160 / DN180 round duct. Clamping rails included.

Mounting set:

A special mounting set is available for the Zehnder ComfoWell 320 attenuator and distribution system for direct mounting on the ComfoAir 160 / ComfoAir 200 / ComfoAir 350 ventilation unit. The mounting set includes all the necessary accessories (screws, brackets and mounting brackets).

Spacer frame:

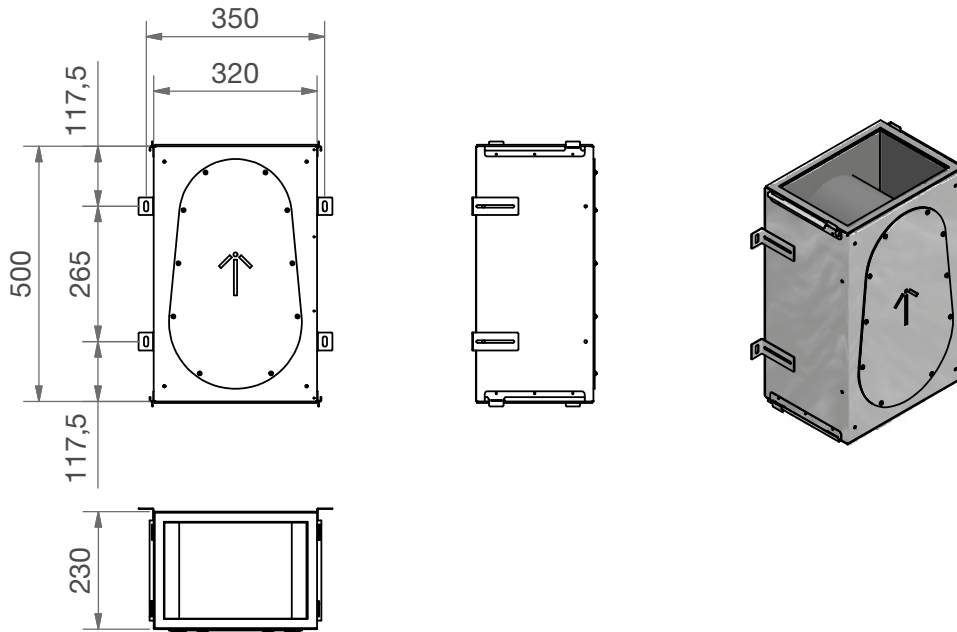
Zehnder ComfoWell spacer frame CW-DF 320 to compensate for uneven surfaces when components and mounting plate (concreted in place) are at 90°. Spacer frame includes the necessary mounting accessories.

Filter:

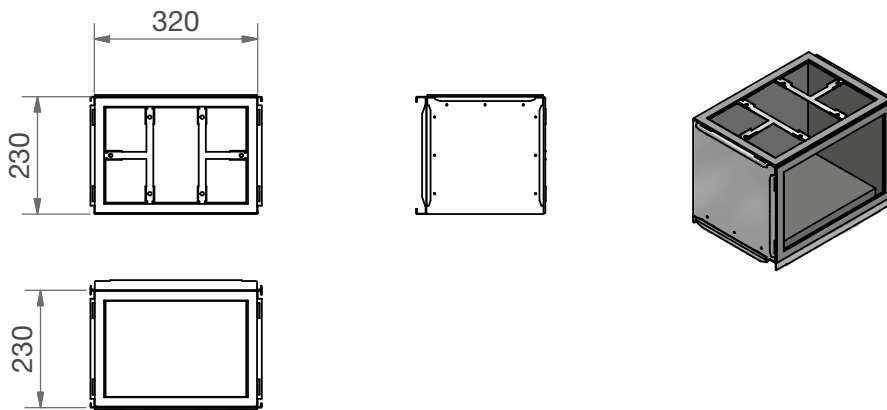
Filter for mounting in filter housing CW-F 320. Available filter classes include F7 (pollen filter), F9 (fine dust filter) and an active carbon filter for odour neutralisation.

Dimensional drawings

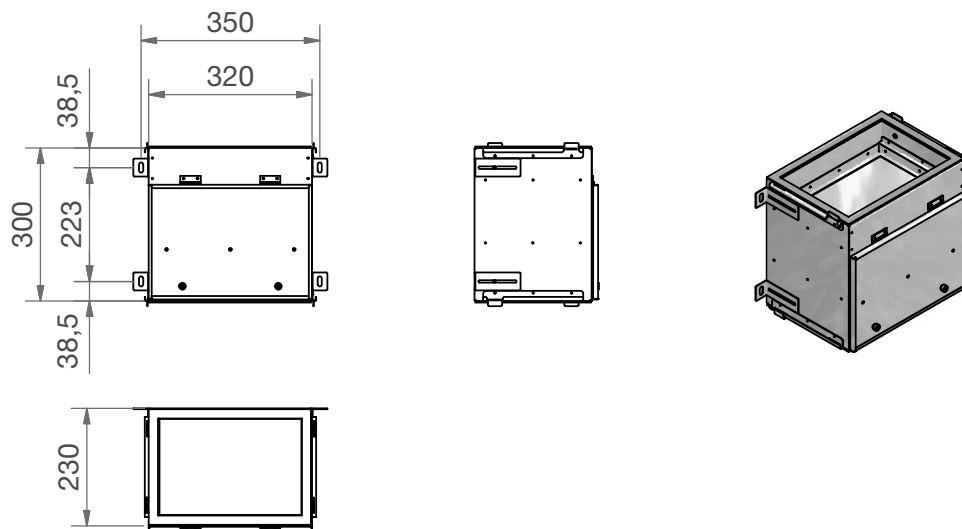
Attenuator



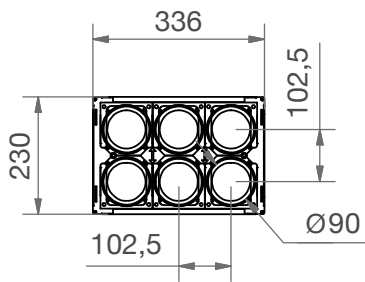
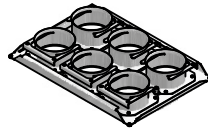
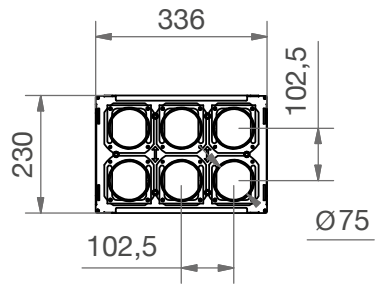
Manifold box



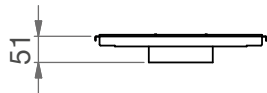
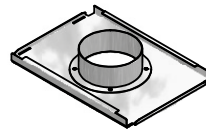
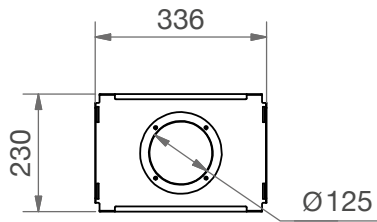
Filter housing



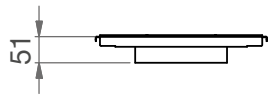
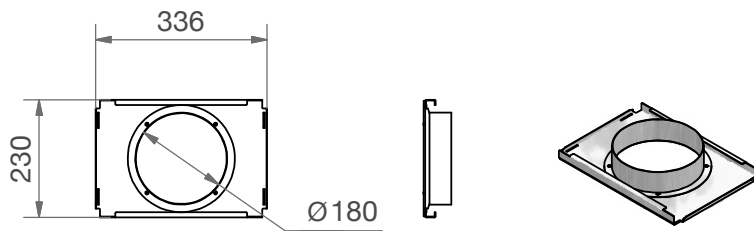
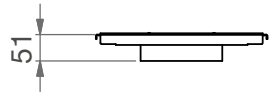
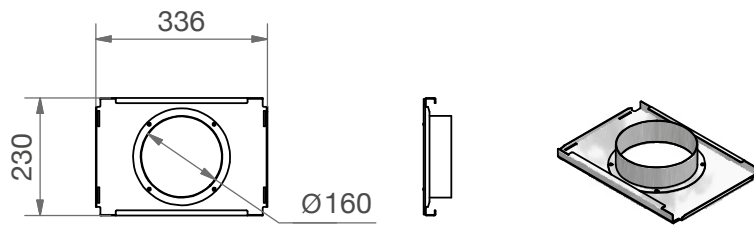
Mounting plate



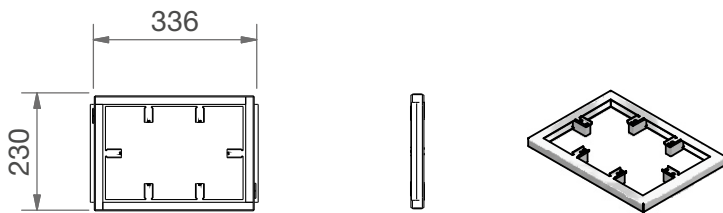
End plate



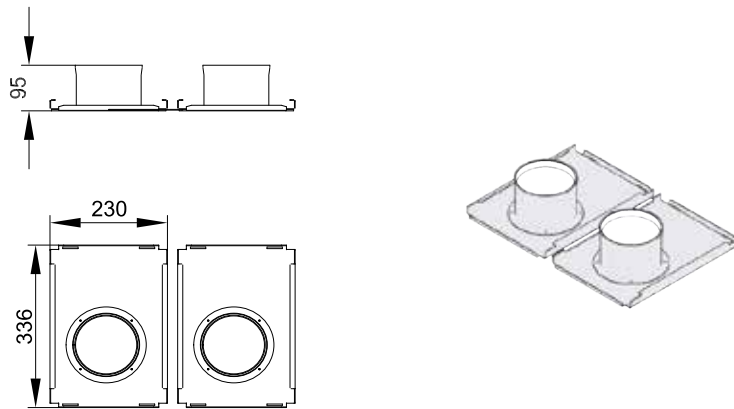
End plate ComfoAir 180



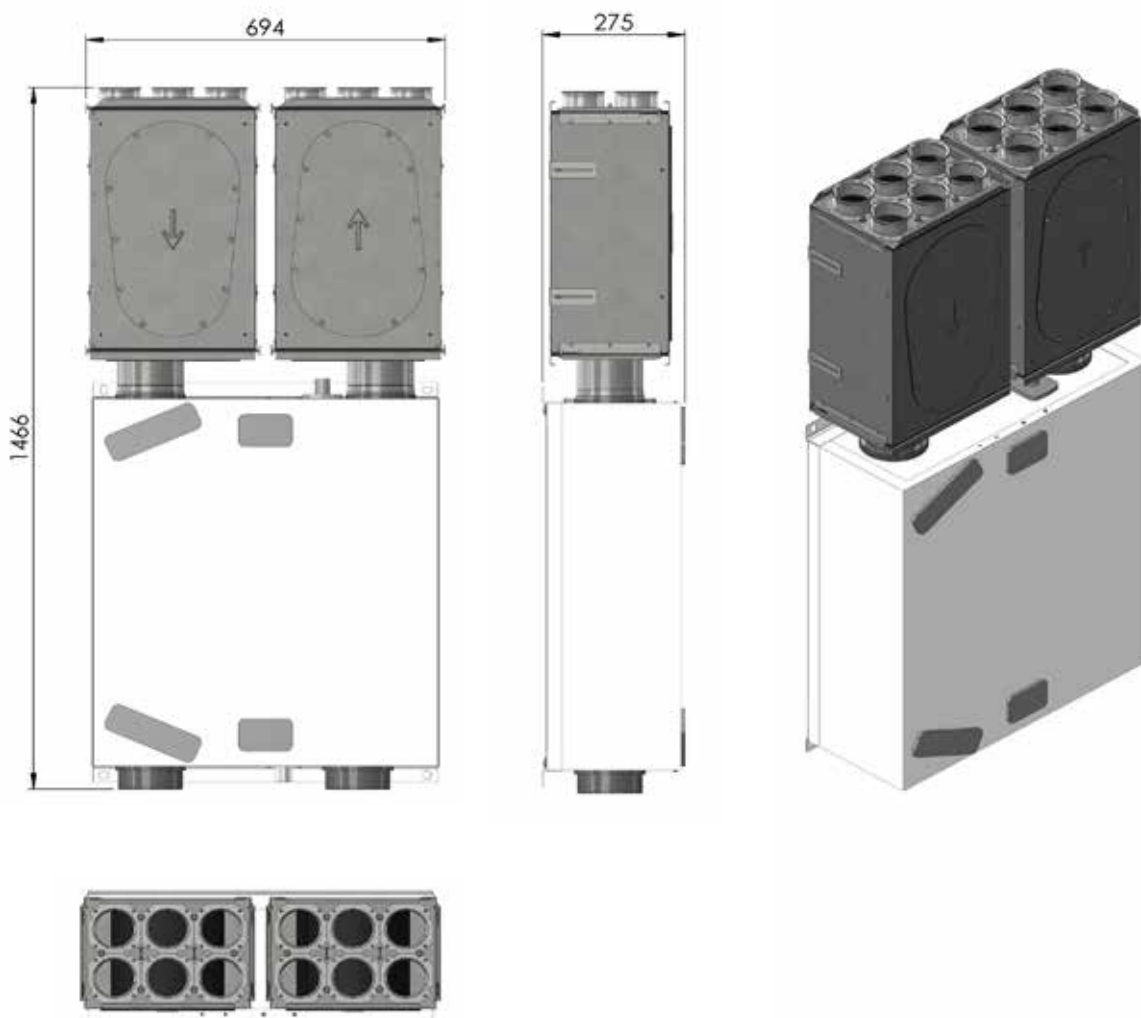
Spacer frame



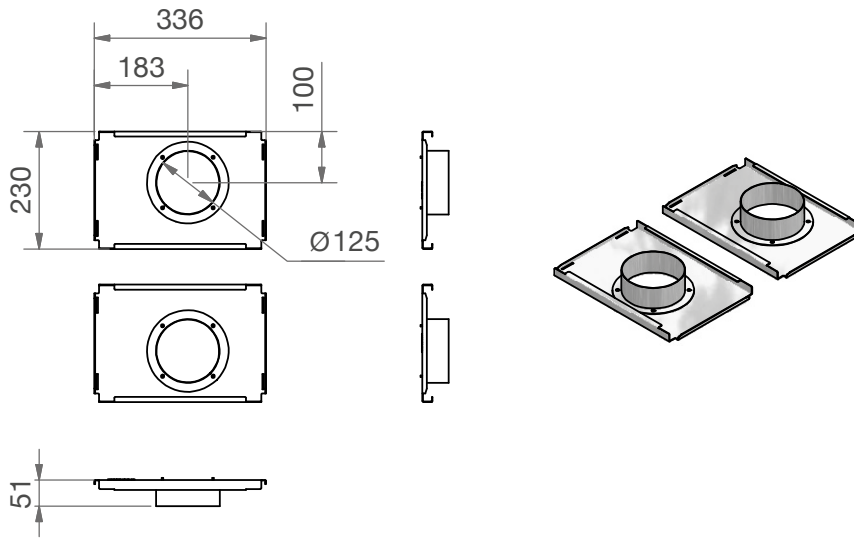
Mounting set ComfoAir 160



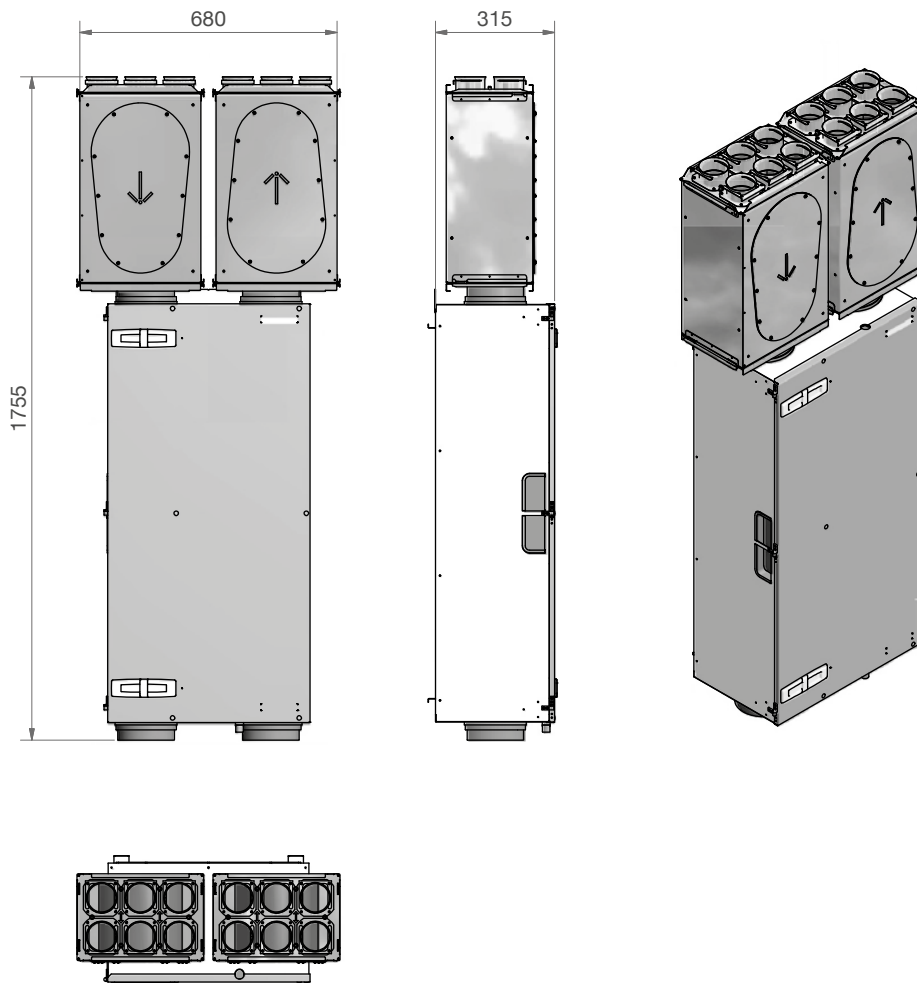
ComfoAir 160 with mounting set



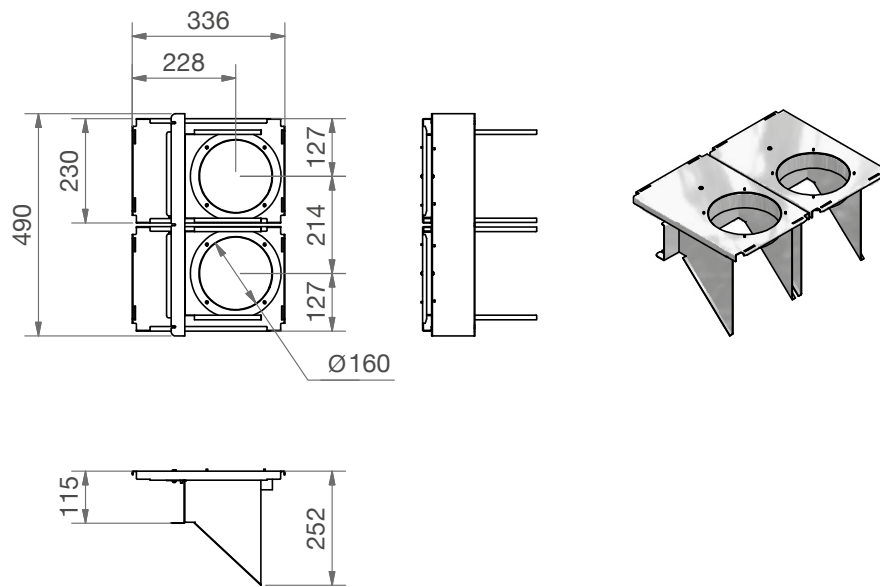
Mounting set ComfoAir 200



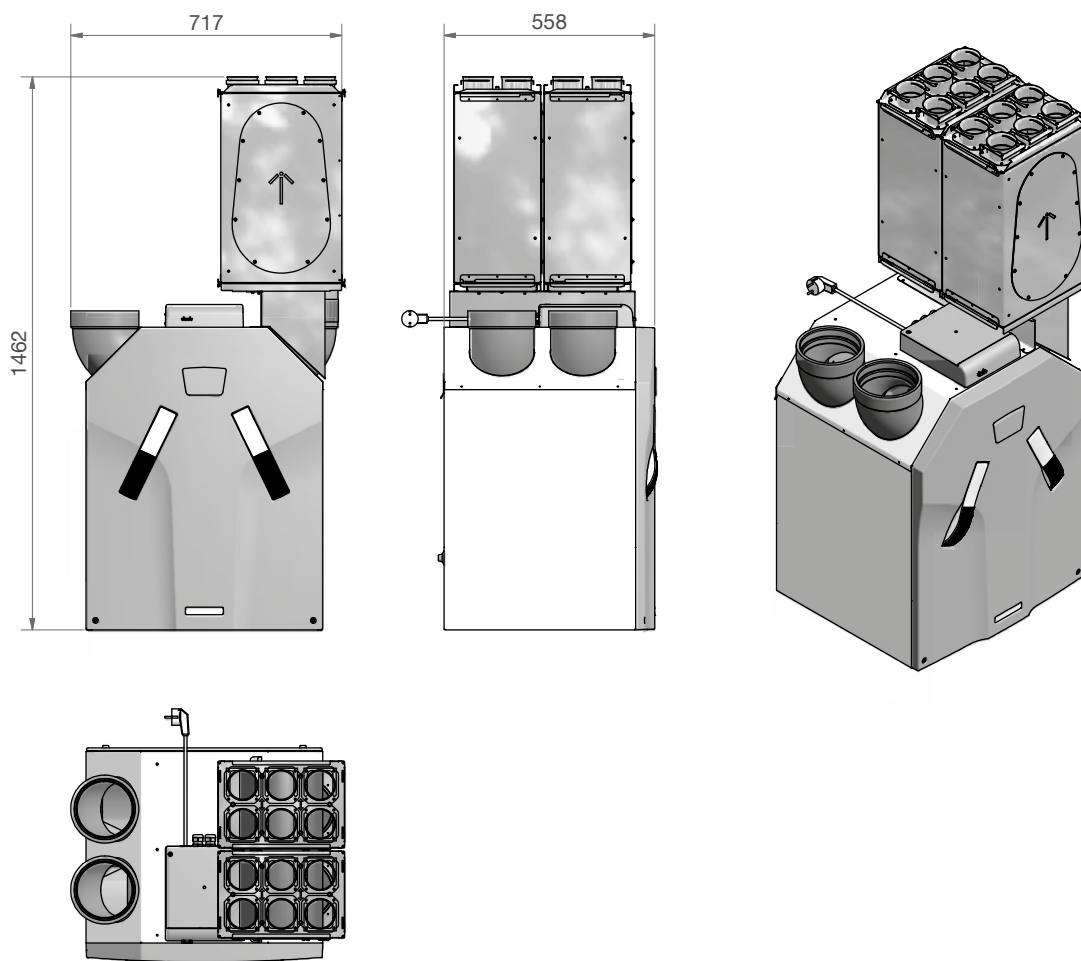
ComfoAir 200 with mounting set



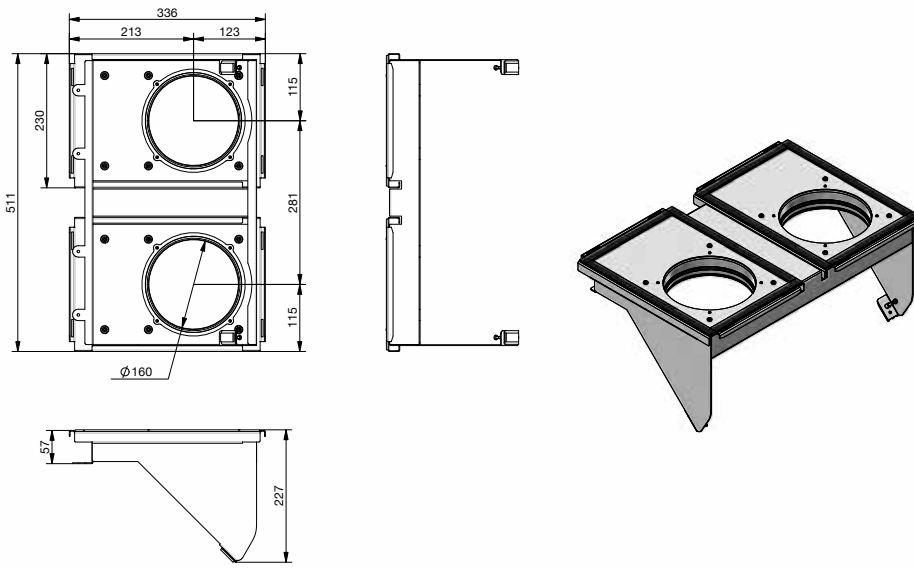
Mounting set ComfoAir 350



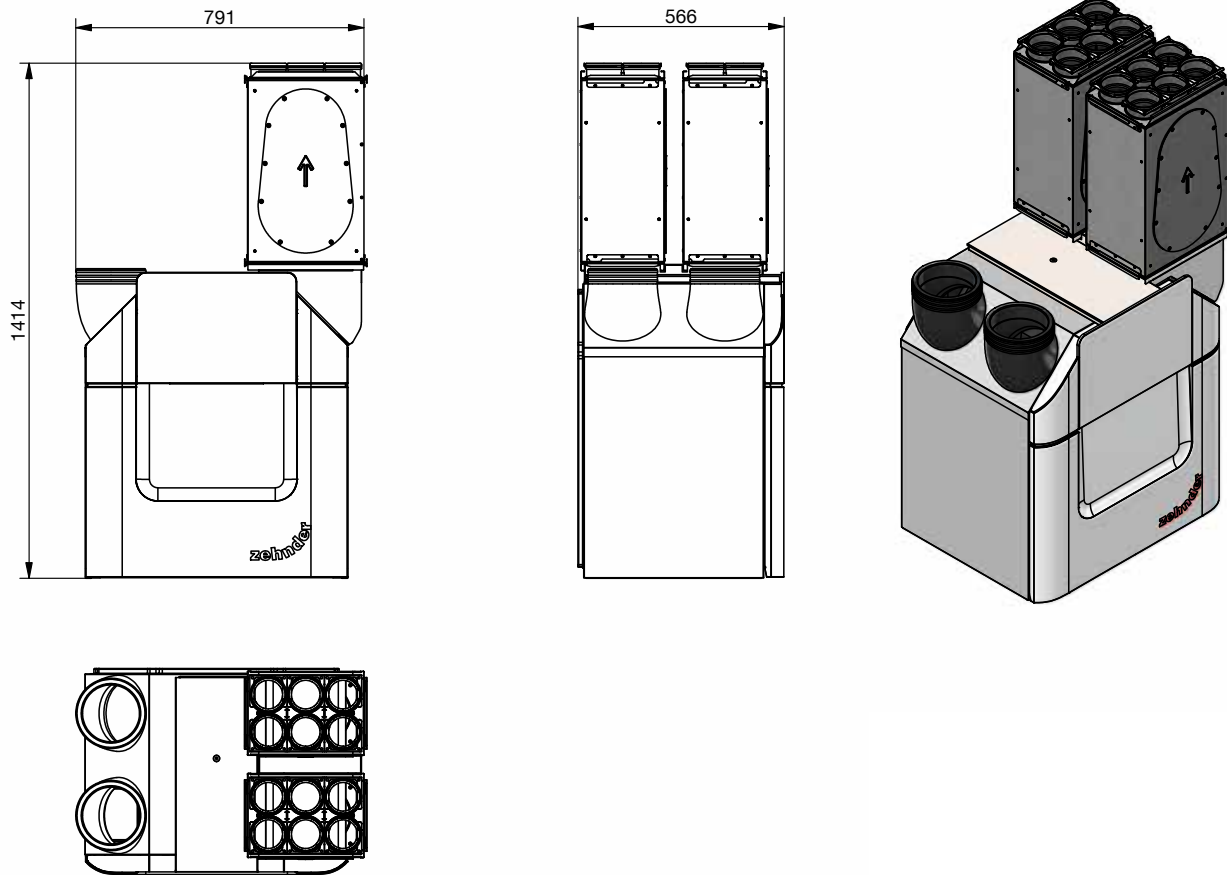
ComfoAir 350 with mounting set



Mounting set ComfoAir Q350/450 TR

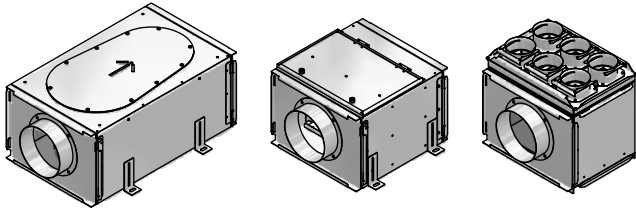


ComfoAir Q350/450 TR with mounting set

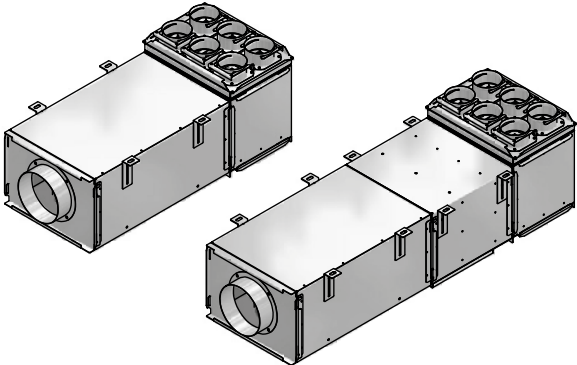


Usage scenarios

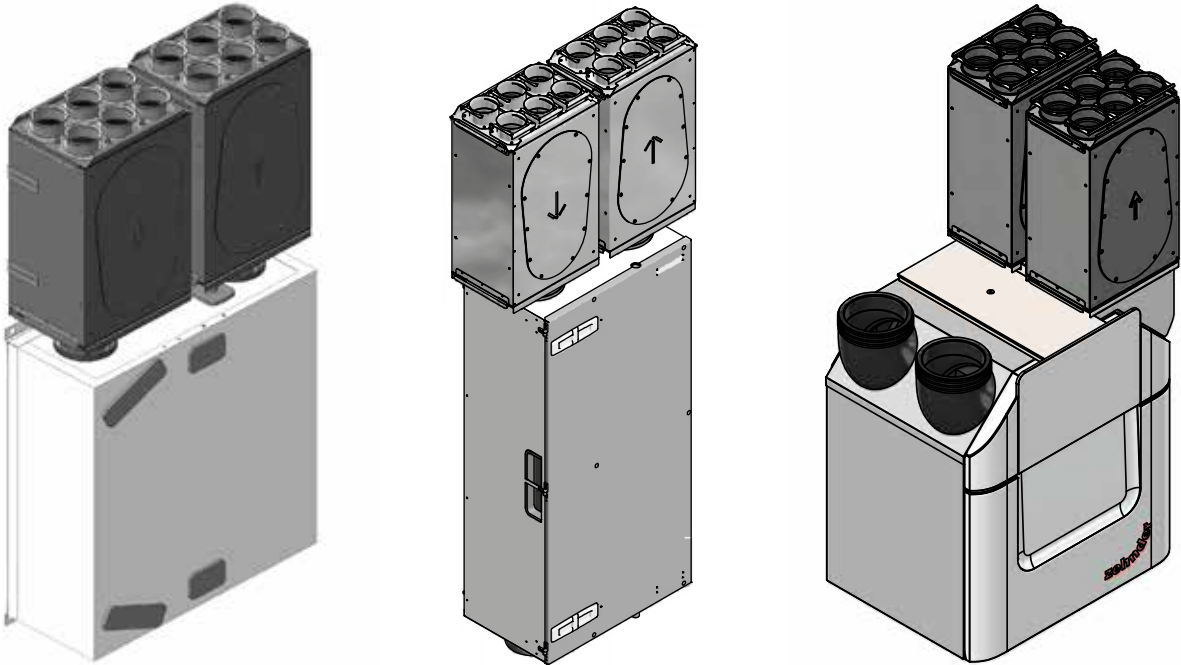
Standalone



Combined

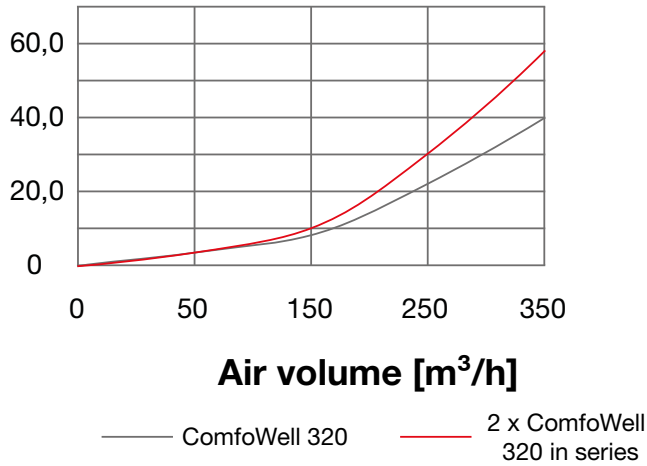


Compact with ventilation unit



Pressure losses

ComfoWell attenuator CW-S 320 with end plate CW-P – DN150



Insertion loss

1x end plate CW-P 320 + 1x attenuator CW-S 320 + 1x end plate CW-P 320 or mounting plate CW-M 320

Insertion loss with one attenuator*

Frequency [Hz]	63	125	250	500	1,000	2,000	4,000	8,000
[dB]	4.6	5.6	9.2	6.5	5.6	23.0	17.4	23.8

1x end plate CW-P 320 + 2x attenuators CW-S 320 + 1x end plate CW-P 320 or mounting plate CW-M 320

Insertion loss with two attenuators*

Frequency [Hz]	63	125	250	500	1,000	2,000	4,000	8,000
[dB]	6.0	10.4	17.8	14.1	13.6	47.4	36.8	34.9

* Insertion loss measured in accordance with EN ISO 7235 (pink noise)

CDE-FLYERTS222, V1116, en, subject to change without notice