

STAINLESS STEEL INSTALLATION GUIDE

TOOLS REQUIRED FOR INSTALLATION



ELECTRIC DRILL &
DRILL BIT



SPIRIT LEVEL



CORDLESS SCREWDRIVER &
CROSS POINT SCREWDRIVER
(BIT PH2)



METRIC RULER



HAMMER



STEP LADDER
(FOR HIGH PRODUCTS)



ALLEN KEY

Installation information in this section includes below products
BLUEBELL, DIVA, TRUVA

CONTENT OF MOUNTING SET

Decorative Cap (x2)
(Only for mirror finished products)

A



Blind Plug (x1)

B



Air Vent (x1)

G



Wall Mounting
Screw (x4)

C



Wall Mounting Bracket (x4)

D



Wall Plug (x4)

E

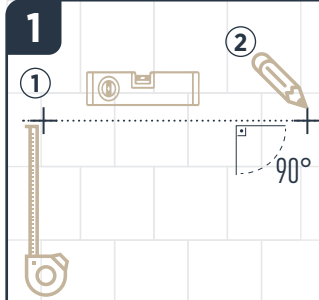


Setscrew (x4)

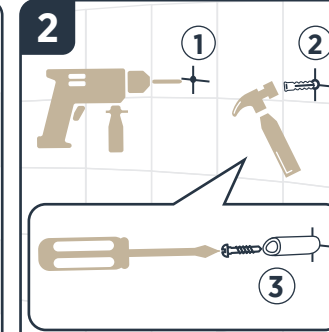
F



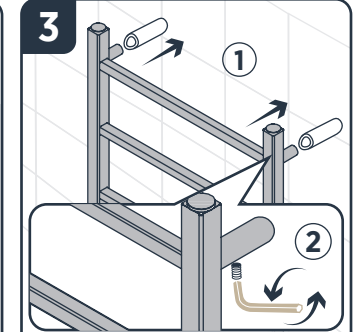
INSTALLATION



- 1- Adjust the height of your radiator by using a metric ruler.
- 2- Set the location of your radiator as desired, align with the ground by using a spirit level and mark the position of the wall mounting brackets.

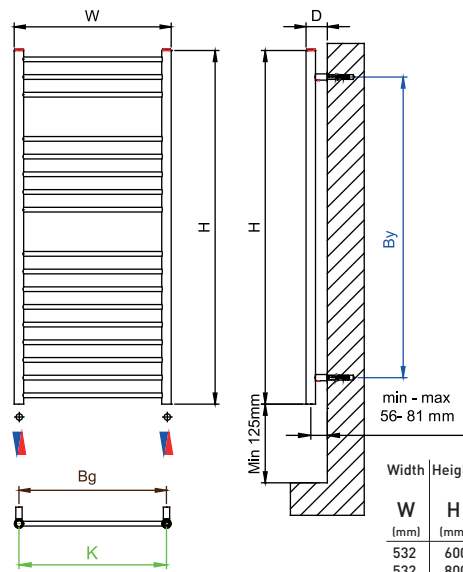


- 1- Drill holes (Ø 10 mm) into the spots you have marked.
- 2- Nail the wall plugs (E) in the holes by using a hammer.
- 3- Screw the wall mounting brackets all the way to the holes with the help of a screwdriver.



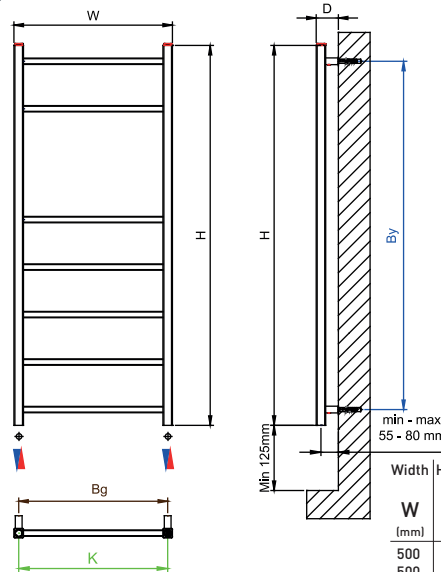
- 1- Place your radiator into the wall mounting brackets (D).
- 2- Insert the setscrews (F) into the slots on the mounting brackets (D), adjust the distance between the wall and your radiator then tighten the setscrews by using an Allen key (M3).

BLUEBELL



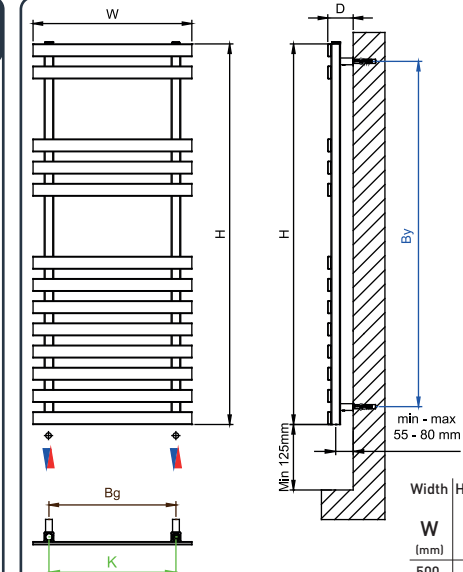
Width W (mm)	Height H (mm)	Depth min-max D (mm)	Pipe Center (Valve) K (mm)	Bracket Centers Bg By (mm) (mm)
532	600	72-97	500	500 420
532	800	72-97	500	500 420
532	1000	72-97	500	500 820
532	1200	72-97	500	500 1020

DIVA



Width W (mm)	Height H (mm)	Depth min-max D (mm)	Pipe Center (Valve) K (mm)	Bracket Centers Bg By (mm) (mm)
500	600	70-95	470	470 500
500	800	70-95	470	470 700
500	1000	70-95	470	470 900
500	1200	70-95	470	470 1100

TRUVA



Width W (mm)	Height H (mm)	Depth min-max D (mm)	Pipe Center (Valve) K (mm)	Bracket Centers Bg By (mm) (mm)
500	750	80-105	400	400 640
500	1000	80-105	400	400 890
500	1200	80-105	400	400 1090



WARNING

- Place your radiator at least 12.5 cm above the floor.
- Provide insulation by wrapping PTFE tape on the treads before installing the valves.
- Apply silicone seal fluid to all treaded parts containing o-rings.
- Connect your radiator to the utilities after following all the installation steps in the manual.
- After connecting to the utilities, do not forget to discharge the trapped air inside the radiator.



R.EYS.KK.00150

R.EYS.KK.00150_installation guide_stainless steel_LACV_Rusya_english



17.04.2019 Rev:00
R.EYS.KK.00150